

# AIR OPERATED DIAPHRAGM PUMP



## AR DD 25 - AL AL TF TF

AR : Arita Product  
 DD : Air Operated Diaphragm Pump  
 25 : Inlet & Outlet Size  
 AL : Alumunium (Pump Body)  
 AL : Alumunium (Valve Seat)  
 TF : Valve Ball  
 TF : Valve Diaphragm

## Material Valve Seat - Valve Ball - Diaprahm

TF : Teflon /PTFE  
 BN : Buna/NBR  
 SP : Santoprene  
 VT : Viton



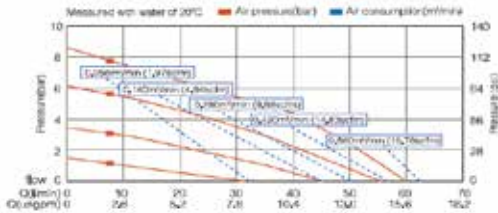
## Material Pump Body

PP : Polypropelyne  
 SS : Stainless Steel 304  
 AL : Alumunium  
 KY : Cast Iron  
 LL : Stainless Steel 316

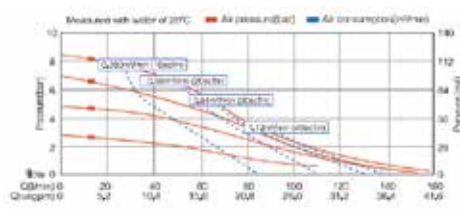
## Sealing and Diaphragm Temperature

TEFLON : 4,4'C - 176,6'C  
 BUNA/ NBR : -40'C - 121'C  
 HYTREL : - 28,9'C - 104,4'C  
 SANTOPRENE : - 28,9'C - 104,4'C  
 VITON : -40'C - 176,6'C

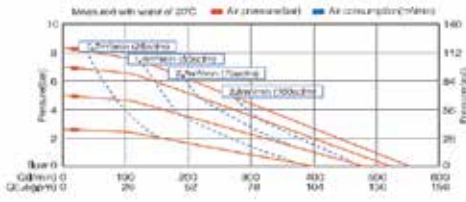
ARDD 15



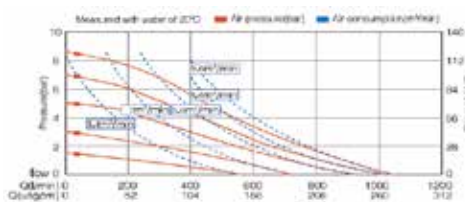
ARDD 25



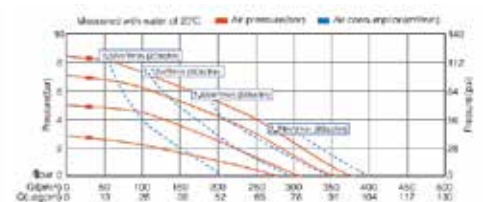
ARDD 50



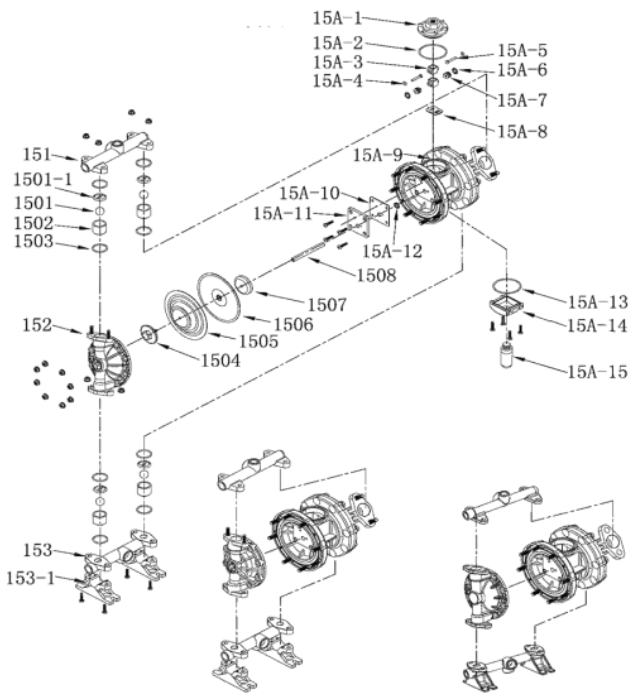
ARDD 80



ARDD 40



| TIPE        | Max.Flow (m3/h) | Max.Pressure Intake (Bar) | Maximum Head (m) | Max Air Consumption (m3/min) | Air Inlet (Inch) | Liquid Inlet Outlet (Inch) | Max.Particel Diameter | Max. Suction Lift (Dry/Wet) |
|-------------|-----------------|---------------------------|------------------|------------------------------|------------------|----------------------------|-----------------------|-----------------------------|
| ARDD 15 B/N | 57L/min         | 8,4                       | 84               | 0,672                        | 1/4              | 0,5                        | 2,5 mm                | 4m / 7,6m                   |
| ARDD 25 B/N | 157L/min        | 8,4                       | 84               | 1,7                          | 1/2              | 1                          | 4 mm                  | 4m / 8m                     |
| ARDD 40 B/N | 358L/min        | 8,4                       | 84               | 3,5                          | 1/2              | 1,5                        | 5 mm                  | 5m / 8m                     |
| ARDD 50 B/N | 587L/min        | 8,4                       | 84               | 4,9                          | 1/2              | 2                          | 6mm                   | 5 m / 8m                    |
| ARDD 80 B/N | 1060 L/min      | 8,4                       | 84               | 9,1                          | 3/4              | 3                          | 9,4mm                 | 5m / 8m                     |



## ARDD parts list

### Fluid section parts list

| Parts No. | Parts name      | Material | Parts No. | Parts name         | Material     |
|-----------|-----------------|----------|-----------|--------------------|--------------|
| 151       | Outlet manifold | PP       | 1501-1    | Baffle booth       | PP           |
|           |                 | KY       |           |                    | KY           |
|           |                 | AL       |           |                    | SS           |
|           |                 | SS       |           |                    | LL           |
|           |                 | LL       |           |                    | PP           |
| 152       | Liquid chamber  | PP       | 1502      | Valve seat         | TF           |
|           |                 | KY       |           |                    | SS           |
|           |                 | AL       |           |                    | LL           |
|           |                 | SS       |           |                    | TF           |
|           |                 | LL       |           |                    | Encapsulated |
| 153       | Inlet manifold  | PP       | 1504      | Outer plate        | PP           |
|           |                 | KY       |           |                    | KY           |
|           |                 | AL       |           |                    | SS           |
|           |                 | SS       |           |                    | LL           |
|           |                 | LL       |           |                    |              |
| 153-1     | Footing         | PP       | 1505      | diaphragm (Teflon) | TF           |
|           |                 | AL       |           |                    | HY           |
|           |                 | TF       |           |                    | SP           |
|           |                 | SP       |           |                    | BN           |
|           |                 | HY/BN    |           |                    | CR           |
| 1501      | Valve ball      | SS       | 1506      | diaphragm (rubber) | VT           |
|           |                 | LL       |           |                    | PP           |
|           |                 | VT       |           |                    |              |
|           |                 |          |           |                    |              |
|           |                 |          |           |                    |              |
|           |                 |          | 1507      | Inner plate        | PP           |
|           |                 |          | 1508      | Central shaft      | SS           |

### Air motor parts list

| Parts No. | Parts name             | Parts No. | Parts name            |
|-----------|------------------------|-----------|-----------------------|
| 15A-1     | Valve chamber cover    | 15A-9     | Center block (PP)     |
| 15A-2     | Cover O-ring           | 15A-10    | platen gasket         |
| 15A-3     | Commutation switch     | 15A-11    | Air valve platen (AL) |
| 15A-4     | Commutation pin O ring | 15A-12    | Shaft U cup           |
| 15A-5     | Commutation pin        | 15A-13    | Muffler base O-ring   |
| 15A-6     | Piston U cup           | 15A-14    | Muffler base          |
| 15A-7     | Piston (AL)            | 15A-15    | Muffler (PE)          |
| 15A-8     | Air valve plate (SS)   |           |                       |

|                 |                |                        |                 |
|-----------------|----------------|------------------------|-----------------|
| PP:Polyethylene | AL:Aluminum    | LL:316 Stainless steel | KY:Kynar (PVDF) |
| TF:Teflon       | SP::Santoprene | HY:Hytrell             | VT:Viton        |